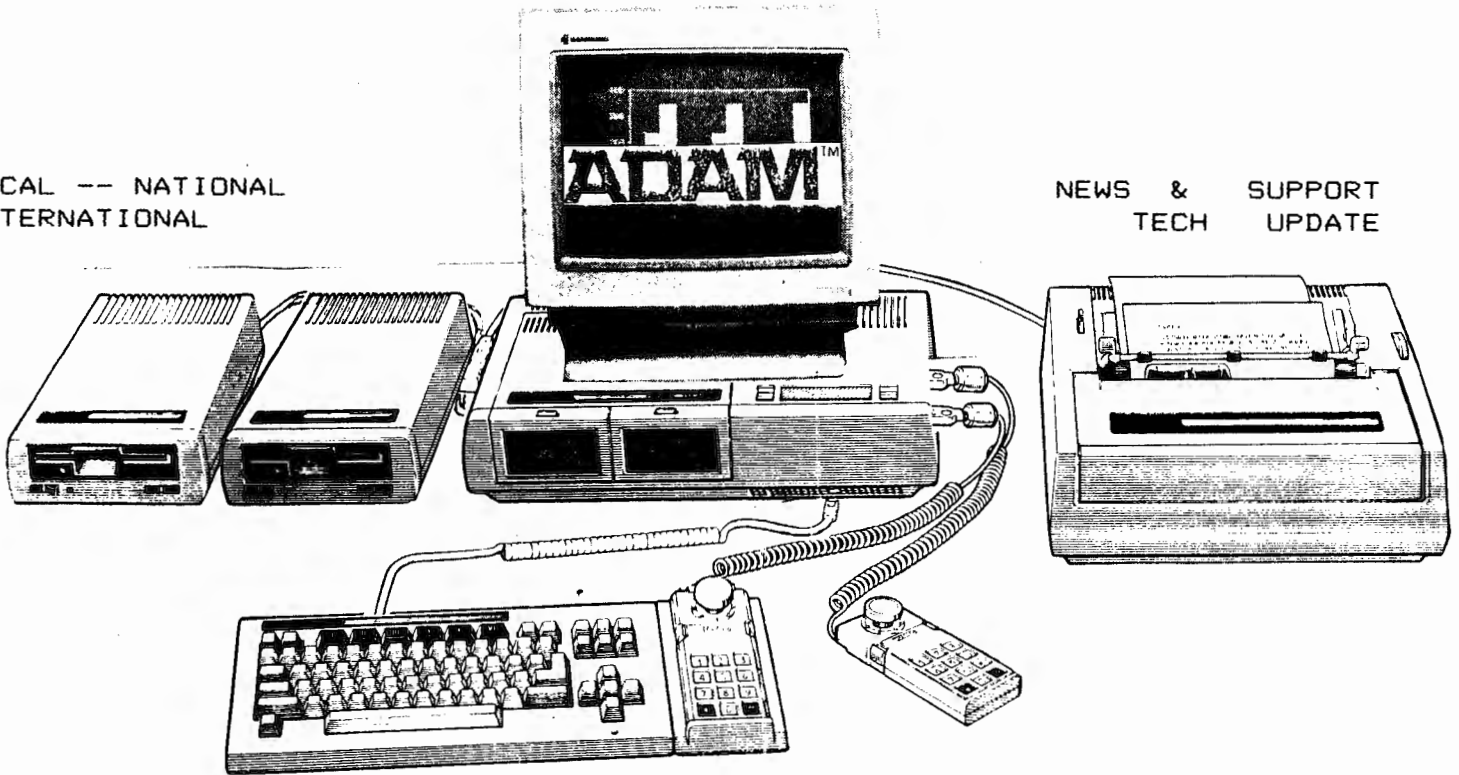


##### THE ADAMLAND News #####

The INTERNATIONAL COMPUTER USERS GROUP

LOCAL -- NATIONAL  
INTERNATIONAL

NEWS & SUPPORT  
TECH UPDATE



Dues include membership and 10 issues (June-July, Aug-Sept combined issues) of our fine newsletter "The ADAMLAND News", with Tech Updates, Hints & Kinks, Games, Graphics, Programming, information on Hardware, Software, Peripherals, New Products, Reviews, Glitches & Gremlins, CONSIGN-A-BIT Wanted and For SALE, Question & Answer Section, Friend Section, and, sometimes, Dr. Mumbles Microchip's Corner (He Who Is The World's Greatest Authority On Computing). ALL letters requiring an answer must have LARGE SASE enclosed, or Postal Reply Coupon, to cover. Our brochures, products, information, etc., are now in each issue of the newsletter, covering products ready for sale, special sale items, progress of others under construction, plus those in Research & Development.

Our tremendous ADAMLAND SOFTWARE LIBRARY catalog is available on disk or ddp, at minimal cost. We sell only to members. As a group, our buying power is great. Members benefit from news, exchange of ideas, the ability to purchase at discount, AND to have their questions answered on ADAM, IBM and compatible problems.

NOW IN OUR FOURTH YEAR OF SERVICE TO OUR MEMBERS!

U.S., APO's, FPO's, GPO's Membership & 10 issues	\$20.00
FUERTO RICO, MEXICO, CANADA Membership & 10 issues	\$25.00
FOREIGN Membership & 10 issues, by regular mail (by AIR: WRITE!)	\$30.00

U.S. FUNDS, OR EQUIVALENT, MONEY ORDERS ONLY! NO PERSONAL CHECKS!

ADDRESS:

\*\*\* ADAMLAND\*\*\*  
795 Garfield  
Lander, WY-USA  
82520

Editor: Buck A. Rogers

PLEASE READ EACH PAGE--ARTICLE--NOTICE--EACH MONTH! Things Change!!

THIS LETTER GOES TO EACH OF THE 50 UNITED STATES, ALL PROVINCES OF CANADA, PUERTO RICO, THE VIRGIN ISLANDS, GUAM, PANAMA, MEXICO, JAPAN, CHINA, KOREA, TAIWAN, NEW ZEALAND, AUSTRALIA, GREENLAND, ICELAND, ENGLAND, SCOTLAND, IRELAND, SWEDEN, HOLLAND, WEST GERMANY, BELGIUM, FRANCE, ITALY, SWITZERLAND, ISRAEL, EGYPT, SAUDI ARABIA, KUWAIT, DOMINICAN REPUBLIC, COSTA RICA, HONDURAS, PANAMA and others.

Published sometime after the first of the month, depending upon fishing season, small game hunting season, large game hunting season, shooting range practice, hives, arthritis, heart problems, writer's cramp, rain, sleet, snow, hail, wind, drought, power bumps, power outages, possibility of lightning strikes, actual strikes, lack of sleep, lack of time, but certainly not lack of dedication to the cause of the computer user.

We encourage articles from both our members and the general public. SEE OUR ONGOING CONTEST! If you would like to see your articles in print, send them to us with written permission to print. All programs, games, graphics, etc., sent us must be written on standard 8 1/2 by 11 paper, on disk or data pack.

ADVERTISEMENTS: If you wish to place an ad, send us a copy of the ad, or tell us to format it ourselves. We encourage pre-printed ads, to be used as inserts, but page size cannot exceed that of the newsletter. Extremely low rates! Helping you, helps us.

REMEMBER, ADAM, and IBM-COMPATIBLE USERS! THIS PUBLICATION IS DEDICATED TO YOU! TELL US WHAT YOU WANT. We will do our best.

The ADAMLAND News is a publication of the INTERNATIONAL COMPUTER USERS GROUP. The GROUP is a producer of software, hardware and special devices to be used with many computers.

Neither The ADAMLAND News, nor the INTERNATIONAL COMPUTER USERS GROUP, are connected in any way with any other manufacturer, unless it is so stated.

Product names mentioned in this publication are for reference and identification only, and ARE IN NO WAY INTENDED AS COPYRIGHT OR TRADEMARK INFRINGEMENT. We also give mention/credit to others whenever possible, and when we are certain where the credit belongs.

PRICES, SPECIFICATIONS AND OUR RULES OF OPERATION ARE SUBJECT TO CHANGE WITHOUT PRIOR NOTICE, ITEMS MAY BE DROPPED FROM SALE OR PRODUCTION, RESTORED TO SALES OR PRODUCTION, WITHOUT NOTICE. NOT RESPONSIBLE FOR TYPOGRAPHICAL ERRORS.

IF YOU WRITE IN, WANTING THE ANSWERS TO CERTAIN QUESTIONS, AND DO NOT RECEIVE AN ANSWER, the most likely reason is that your question(s) have just been, or are about to be, answered in the newsletter.

Ramblings, this month.

As we have stated before, there are many reasons for starting and running, a users group. One is for an "ego trip", not caring whether the group is financially responsible. Another reason can be a genuine interest in gathering, disseminating information of a common interest, and another, ours, both a manufacturing business, and a users group. Various other reasons are apparent, but these are the most prominent.

We have seen users groups come and go. Many disappear rapidly, some hang on for quite a while, then fade.

Primarily, in order to keep interest up, in those who are involved in keeping the group going, THERE MUST BE A PROFIT INCENTIVE.

We know of one, fine group, who offered disks to their members at the price of TWO POSTAGE STAMPS! They are gone. Now we find a group which is offering 50 disks of games, utilities, programs, etc., to its members for \$150.00! This is \$1.50 per disk!. Totally financially disastrous.

If sufficient profit is not generated, NO GROUP CAN SURVIVE, unless those promoting it foot the bill!

The first principle of any business is that sufficient profit must be generated to keep the business afloat, and prospering. This applies, whether the business is a users group, or any business of any kind.

Its very simple, if you do not generate sufficient profit, you inevitably must cease operating. There is no such thing as a free lunch. Someone pays, someone eats.

Starting such a procedure as selling 50 disks of programs for \$1.50 each, is a rapid way to leave the business, as well as making it more difficult for other groups, but only temporarily, until the cheapies are weeded out.

You simply cannot serve your group, if you do not charge enough for your services! Unless you are a group composed of millionaire philanthropists, and I have yet to see one of this composition.

**BOTTOM LINE:** Charge a decent survival fee for each of your services. Make sufficient to carry your group over the lean times, as well as giving your investors a fair return for their money. Then and ONLY then, will you survive, to serve your group. If you want to give your services away, of course that is your business (but it won't be for long).

@

\*\*\*\*\* GROUP NEWS \*\*\*\*\*

by A. Suzuki

For the merry month of October. No OKTOBERFEST, but a fine meeting was had this month.

Among the decisions made, were that the combined June-July and August-September issues will be permanent. This means that you members will receive 10 issues per year, instead of 12.

We also reviewed our manufacturing set-up, and tabled some ideas on how to speed up certain processes, while keeping the costs at the present level, or less.

Prize winners for our on-going contest, for programs, games, utilities, Hints & Kinks, anything usable with ADAM, have been posted. Two of our winners are from Canada.

We urge the rest of you members to keep your contest applications coming in. Remember, you MUST include a statement, in writing, that you either are the originator, or that you have the legal right to present your entry for consideration, and that you have not presented it to any other users group or publisher for consideration. All entries become the property of ADAMLAND, and prizes will be announced from time to time, as will winners.

That little idea of yours MAY BE WORTH MORE THAN YOU THINK! No matter how small or how large, SUBMIT IT!

On another tack, we have decided against going into full production on our large IBM Compatible, at this time. We just do not have the money it would take, to get the jump on the cloning industry.

We ARE going to go into heavy production on our IBM-Compatible conversion for ADAM, and hope to bring the price down. That unit makes a REAL machine out of ADAM. 336K RAM Memory for a bare-naked ADAM "aint at all bad, pardner". Plus all the other advantages.

Right now, what we need is additional local help, in getting some of the less "intellectual" (read-noncomputer) work done. Buck contacted job service this morning. Maybe some of the back work can get caught up, while we do not have to cope with the normal day to day work, running errands, filling orders, answering the easy questions, filling & filing mailing lists, stuffing envelopes, affixing labels, and the thousand and one other things which have to be done.

That will about do it for now, so until we meet again, Au reservoir, my feterstrained, and all that other foreign (ha!) talk.

DON'T FORGET! A gift subscription to "TAN" is a very good idea.

CONTEST

CONTEST WINNERS ANNOUNCED!!!

As you are aware, we have an ongoing contest for the best program, language, utility, hints & kinks, games, graphics, etc., submitted by members. Our winners to this point are:

FIRST PRIZE: DAVE McINTOSH .....\$100.00 Cash
London, Ontario, Canada

SECOND PRIZE: Thomas Warren ..... 50.00 Mdse.
Springfield, Ohio, US

THIRD PRIZE: John Ray ..... 25.00 Mdse.
Weyburn, Sask., Canada

Three Honorable Mention prizes, consisting of 1 year additional membership in the International Computer Users Group are being awarded.

The top three winners will also receive a one year extension of their membership.

Congratulations! The winners are being notified both by this notice in the Newsletter, and by direct mail.

THE CONTEST IS AN ON-GOING CONTEST! KEEP THOSE ENTRIES COMING! MORE PRIZES ARE BEING MADE AVAILABLE FOR FUTURE WINNERS!

It is GIFT CERTIFICATE TIME! Give a friend or relative a subscription to The ADAMLAND News! Give that friend overseas a subscription. If you have someone in service, we know they would appreciate a gift subscription & membership.

Gift Certificate form with fields for Name, Street or Box, City, State, Country, Zip, and From. Includes pricing for US, A.P.O's, G.P.O's, F.P.O's, and AIRMAIL.

-----P R O G R A M M I N G -----

THE TRAFFIC STOPPER

This program is being reprinted at the request of several members. It is a very good demonstrator for color, a fine eye-catcher for display windows in computer stores, and counters in such stores, and even for use at shows, in homes, to mystify and entertain. It is amazing how many people will stop and watch the display, when used in store windows.

```
10 REM LO-RES RANDOM COLOR
20 GR
30 POKE-16302,0: REM FULL SCREEN
40 COLOR-14:GOSUB 1040: REM BACKGROUND COLOR
50 REM RANDOM COLORS
60 COLOR=RND(1) * 14 + 1
70 HLIN 0,39 AT RND (1) * 39
80 COLOR = RND (16)
90 VLIN _,39 AT RND (1) * 40
100 GOTO 60
1000 REM FILL LO-RES
1010 REM SCREEN WITH ONE COLOR
1020 REM COLOR HAS ALREADY
1030 REM BEEN SET
1040 FOR J = 0 TO 39
1050 VLIN 0,39 AT J
1060 NEXT J 1070 RETURN
TYPE RUN
```

---

MORE ANENT PROGRAMMING

There are a number of programs for YOU to enter, on disk and tape in our software library. These are NOT programs where you insert the disk or ddp and call for DIR or CATALOG and pick what you want to be displayed.

These are programs which you print out on the printer, then enter them yourself, into ADAM.

This gives you the fun (or work) of entering them yourself.

---

VOLUME 4.0 of the software library is now being distributed. If you havent ordered, do so now, but ONLY on the official order form! Orders not on the official order form will be rejected! There are a number of new selections as well as new combinations of programs on the new catalog disks and ddps. REMEMBER, specify DISK, at \$3.95, or DDP, at \$4.95. Those of you who already have the disk or ddp, may send in yours for upgrading, \$2.00 for upgrading, includes US postage.

SALE!

# NEW PRODUCTS FOR UPGRADING THE ADAM COMPUTER

-----AVAILABLE ONLY FROM ADAMLAND-----

**THE SUPERSWITCH:** Pushbutton select from any combination, such as two computers and a VCR, or one monitor or TV. ADAM cable goes to switch, Gold End monitor cable supplied. Usable with more than one computer, work on one while the other is printing, or watch a movie from the VCR, all without changing cables! SS-3, \$21.95 + \$2.50 HIS, CONUS.

**ARE-2 RESOLUTION ENHANCER:** Use with Stand Alone model or Expansion Module. Improves readability of text, graphics & colors. Removes blurs & smears. No internal connections, easy to install. Includes Gold End Cable. #ARE-2, \$79.95, + \$7.50, HIS. IT DOES NOT PERFORM IN SOME INSTANCES! If your ADAM, TV or monitor are doing their best, it is not needed. If your blurred, ghostly image is due to improper drive, improper match, it will make a dramatic difference. Now made in good ole US!

**DESK MONITOR CABLE:** Special GOLD END desk cable for ADAM. With genuine gold plated ends for low loss, perfect connections. Helps stop screen clutter, helps keep picture clean. 3 ft. \$6.95 + \$2.50 HIS, CONUS. 6 ft. \$9.95 + \$2.50 HIS, CONUS

**CLOCK-CALENDAR:** Gives time and date at turn on, and whenever called up, will also print on printout. #CC-2, \$79.95 installed. THIS IS THE ONLY ONE OF ITS TYPE AVAILABLE FOR ADAM!

**ADAM RAM 64:** ADAM 64K Memory Upgrade. installs in slot #3. Extends storage in SMARTwriter, adds to SMARTbasic, allows multitasking in ADAMCALC, lets you print while working. Very valuable for CP/M, for long programs, speeds up ADAM, THE BEST THERE IS IN 64K! #AR-64, \$49.95 + \$2.50, HIS, CONUS

**ADAM 1200 MODEM:** MODEM AND INTERFACE CABLE, FOR USE WITH ADAM. THIS IS BRAND NEW! High speed, saves a lot of money and time on long distance access calls. Operates at 300 or 1200 baud. Auto-dial, Auto-answer, AT command set and Hayes compatible, and all the goodies a fine modem should have, and priced lower! #ADAM 1200-\$169.95, + \$5.00 His, CONUS (External modem, all controls, on lights on front)

**ADAM EXTERNAL POWER SUPPLY:** Replaces ADAM's which is in the printer, allowing the use of a different printer. Easily connected. #AEP8, \$27.50, + \$7.50 HIS CONUS. THIS IS AN IDENTICAL REPLACEMENT!

**ADAM BIG MEMORY:** 2+ Megabyte upgrade for ADAM! Supplied with 256K, user upgradable to 2+ Meg. On same card is INTERFACE CONNECTION FOR HARD DISK! Use as RAM DISK, PRINT SPOOLER, etc., Ever notice how ADAM (or any other computer) slows down, way down, as you come nearer to using up the available memory? Add lightning to ADAM! With documentation, software, etc.. #BM-2, \$399.95, + \$7.50, HIS CONUS. ADDITIONAL memory, in 256K blocks available from us, and we strongly recommend our chips. "BARGAIN" chips are almost never a bargain.

41256 "C" type chips. The low current drain ones, 150 ns or better, \$54.00 for 256K, 120 ns \$57.95. NO HIS if installed on your board, when board is ordered. \$2.50 HIS if ordered separately. Whether or not you realize it, there is a BIG difference in chips! Order as much memory as you want, we will send or install on our BM board for you.

**SPEED SYSTEM:** The name of the game in computers is SPEED! ADAM operating speed is 4 Mhz. We can alter your ADAM to 6 MHZ (same speed as IBM standard AT) or even 8 Mhz. Modernize that ADAM! Compatible with all ADAM systems, etc. Write for prices.

**LIGHT PEN FOR ADAM:** PAINT ON SCREEN, DO GRAPHICS, LOGOS, ERASE, MAKE MENU SELECTIONS, USE AS DIRECT ACTION CURSOR. Do design work, make cartoons, banners, signs, figures, etc. With interface, software, instructions. ONLY TWO MODELS available, Master, #M-1, \$169.95, and the cordless professional model #PC-1, \$259.95. Either + \$5.00 HIS CONUS. (Now made in good ole US!

**NEW WORD PROCESSOR FOR ADAM:** Installed on motherboard, is the default program, coming on at "power-up". DOES NOT USE UP YOUR RAM MEMORY, as does any system or program entered from Disk or DDP. Solves the deadly ADAM "bump", spacing problems, and all the other programming problems with ADAM's system. We will later make it possible for you to also have ADAM's operating system on board too, but not at present. (Just not enough help, at present) \$165.00, installed, with manuals, etc. + return shipping of your console \$10.00, CONUS. (Name change in progress)

**COMPANION CALC:** New, installed on motherboard calc program, far superior to ADAMCALC. Called up from keyboard. Integrates with the new word processor. Also does not use up your valuable RAM for the program. CP/M 2.2 and CP/M 3 (CP/M+) compatible too. Will be ready about February.

## MORE NEW PRODUCTS

LAP TOP ADAM? Not really, but you can get the same effect with one of our long keyboard to console cables. Sit in your easy chair, stretchout on the floor, or work from your bed. No more being tied to ADAM by a "short umbilical cord" 10 ft \$10.95, 15 ft \$13.95, 20 ft \$16.95, 25 ft \$19.95. any + \$3.50 HIS, CONUS

ADAM-IBM COMBINATION. Now your ADAM can use IBM programs, with all the windowing, multitasking, colors, and other abilities that combining the two systems allows. None of the capabilities of ADAM are lost, and you gain a great deal in the IBM-Compatible features. After installation, you may choose instantly to run as an ADAM system, an IBM system, or even a mix of the two! All systems are converted instantly to operate in the IBM system, this means ADAM data drives, disk drives, console and keyboards respond to either ADAM commands, or IBM commands! Our system is a TRUE 16 bit, not an 8/16, like the IBM XT. Operating at 6 Mhz, with full input & output at the cpu, it is very very fast, faster than a Turbo XT, and as fast as a good AT. You can use CP/M 2, 2, CP/M 3 (CP/M +), CP/M 86, BASIC, MS-DOS, all ADAM systems, 100% text compatible with IBM, will run many IBM programs, except those which are "hardware dependent". These will require software patches, or hardware additions. Must be installed by the purchaser. DO NOT PURCHASE IF YOU ARE NOT PROFICIENT IN FOLLOWING INSTRUCTIONS, and in soldering, desoldering. If you have ever built electronic projects, you will have little problem. Size: 15 inches wide, 18 1/2 inches long, 8 inches high. Regular price #AT-1, \$599.95 + \$15.00 HIS, CONUS. Four operating, setup, instruction, manuals.

THIS CO-PROCESSOR IS NOT LIMITED TO BEING USED WITH ADAM!. It can be interfaced with almost any computer which uses the Z-80 family of chips as the CPU. If you are interested in using it with another computer, write, telling us all about the computer, and we will advise whether it is possible. Most are as easy to convert as ADAM or AMSTRAD.

WARNING! Do not overestimate your, or a computer friends prowess. If damaged, you will have to stand the cost of repairs. We will not accept its return just because of your inability to understand it, or because you have ruined it. It, like other complicated computer boards, can be ruined by a static discharge from you body! Items such as these are not "plug 'n play", they require some work, and some programming. If the instructions are followed, and you use logical progression, you will gain a great deal of computer knowledge, and will have a computer of which you can be justifiably proud.

MULTIFUNCTION EXPANSION CABINET: A cabinet and power supply ideally suited for the handy person, for housing upgrades and additions to most any computer. Ideal for the ADAM-IBM conversion, BIG MEM., etc. COLOR: IBM BEIGE.....PAINTED STEEL CABINET, EPOXY... Neoprene feet...Ventilated front panel...Fully fan cooled with ROTRON "Whisper" fan...Heavy duty IBM style power cord... Cutout for system reset switch...Heavy duty front mounted rocker switch, with panel indicators. Front panel cutout, can be used or covered as desired. Heavy duty power supply on a slide-in, edge-connector card, supplies +5 V, 5 Amps, -5 V .1 Amp, +12 V, .45 Amps, and +24 V 2 Amps.....Flip two locking levers and power supply slides out...Best EMI filtering system we have seen....Input-output connectors on the rear. Finest construction you are likely to see. A truly professional piece, in looks, performance and adaptability. Ideal for the person not really sure what he/she will be adding in the future. How & what you put in it is up to you.

ALL BRAND NEW!

	#MFEC-1,	\$119.95, + \$15.00, HIS, CONUS
CABINET LESS POWER SUPPLY	#MFEC-1-LPS	\$69.95, + " " "
POWER SUPPLY SEPARATELY	#MFEC-PS	\$64.95, + " " "

All the MFEC units come with very detailed documentation, pictorial and schematic diagrams, repair info, parts lists, where obtainable, crossover indices, etc..Comparable cost nearly \$600.00! These cabinets have been used to house hard disk drives, floppy disk drives, tape backups, various expansion units. Originally, SPERRY ordered them for use in Advanced Airline Pilot Flight Training Simulators. Positively nothing but the best.

STANDARD PARALLEL MULTICONDUCTOR CABLE for the above: \$12.95, if needed.

Finest quality materials used. New. Usual price: \$24.95

NPRODUCTO



## NEW PRODUCTS-PRINTERS

There are really only a very few printer manufacturers, producing printers under a great variety of names, even private labels. Some will be sold at low prices, some at moderate, and some at very high prices, although the ONLY DIFFERENCES MAY BE THE PACKAGING AND NAME ON THE PRINTER! ALL FEATURES IDENTICAL! We call these "GENERIC" printers, and search out the best buys for our members. It is also more practical to call them by a "generic" name. We supply our own generic name, for advertising purposes. This is very practical, since we may have exactly the same model, but under several names. The foregoing also applies to monitors, modems, and many other computer additions. We are constantly searching for the best buys for our members.

### THE BEST PRINTERS FOR THE MONEY, ANYWHERE

"The PRINT STAR" LIST PRICE \$299.95  
170-190 characters per second, draft mode  
30-35 characters per second, GOOD Near Letter Quality  
Adjustable Tractor feed standard, accepts single sheets  
80 column carriage  
Labels as small as 2 1/2 inches  
3k buffer  
does graphics  
Standard Centronics Parallel interface  
Epson compatible  
one year warranty  
A very satisfactory dot matrix printer, at a low member cost \$219.95

"The PRINT MASTER" LIST PRICE \$529.00  
235-245 characters per second, draft mode  
45-55 characters per second, LETTER QUALITY MODE  
80 column carriage, 136 column compressed  
Prints elite, pica, compressed/expanded, italics, super/subscript, boldface, special characters, etc.  
8k internal buffer  
Makes labels, does hi-res graphics, prints pictures  
Epson and IBM compatible  
8k internal buffer  
Front panel pushbutton selectable type fonts  
Accepts 32 k buffer, bin type cut sheet feeder  
Centronics parallel, IBM parallel standard  
one year warranty  
Top quality printer, usable on all computers.  
Made to run continuously, trouble free  
Your member cost, \$349.95

"The PRINT PRO" LIST PRICE \$1,000.00  
295-310 characters per second, draft mode  
55-65 characters per second, LETTER QUALITY MODE  
136 column carriage  
Many types of print, selectable from front panel pushbuttons  
Makes labels, does superior graphics, pictures  
8 k internal buffer  
Pushbutton select type fonts, special characters, foreign languages.  
Automatic cut sheet loader. Traction, pin, & friction feed  
Accepts 32 k buffer  
one year warranty, none better  
Low member price, just \$579.00!!

ADANLAND carries all accessories for these printers, including cables for matching most all computers, ribbons, spare print heads, etc.

The PRINT STAR makes a good printer for ADAM, with the proper interface, and will produce your data, etc., at a rate of about equal to THIRTEEN TIMES as fast as ADAM! While at letter quality, it still produces print at about 3 times what ADAM will do.

The PRINT MASTER is about state of the art in an 80 column printer. It will do just about anything you would ever want a printer to do, except it will not do a full 136 columns, in pica or elite.

The PRINT PRO is at the state of the art in a 136 column printer. Of course it will print 80 column, or less, if needed. It is truly a professional unit.

##### CONSIGN-A-BIT #####

SOFTWARE SALE !!!

ORIGINAL GAME CARTRIDGES !!

SQUISH 'EM SAM     TURBO  
 COSMIC AVENGER    BURBERTIME  
 GYRUSS            DONKEY KONG  
 FROGGER            DONKEY KONG, JR  
 GALAXIAN           GROG'S REVENGE  
 JUNGLE HUNT        DEFENDER  
 RIVER RAID         CENTIPEDE  
 LOOPING            SLITHER  
 DESTRUCTOR         VICTORY  
 VENTURE            ROC 'N ROPE  
 MOUSETRAP          KEYSTONE KAPERS

ALL ABOVE CARTS with manuals,  
 \$12.95 ea., all for \$229.00,

-----  
 ADAM MODEMS, w cables manuals,  
 RFI filters, disk or ddp     \$29.95  
 ADAM 64K Memory upgrade     \$29.95  
 ADDRESS BOOK & AUTODIALER   \$29.95  
 EXPANSION MODULE # 2, in box, with  
 arcade steering wheel, floor  
 gas pedal, manuals, cables \$39.00

-----  
 DRAGON'S LAIR, Original box  
 original manual, on disk  
 WITNESS, interactive game, original  
 manuals, papers, Police file, etc.,  
 on CP/M disk.

THE ABOVE, \$24.95 each

-----  
 ADAMCALC  
 SMART LETTERS & FORMS  
 SMARTFILER  
 EXPERTYPE  
 SMARTLOGO  
 FLASHCARD MAKER  
     DDP or DISK  
 ALL THE ABOVE \$13.95 each

ADAM DDP GAMES, PROGRAMS

BEST OF BRODERBUND (A.E. &  
 CHOPLIFTER)  
 FAMILY FEUD  
 ZAXXON  
 ADDRESS BOOK FILER  
 SMARTBASIC  
 SMARTBASIC BONANZA-15 PROGRAMS  
 FOR ADAM  
 SMARTSPELLER dictionary & spell  
 corrector-use with SMARTWRITER  
 HINKLES HACKERS GUIDE TO ADAM I  
     with DDP  
 HINKLES HACKERS GUIDE TO ADAM II  
     with DDP  
 ADAM RESOURCE DIRECTORY VOL I  
 ADAM RESOURCE DIRECTORY VOL II  
 CP/M 2.2  
 ALL ABOVE DDP'S WITH MANUALS  
 \$14.95 each

-----  
 SPECIALS

PACKCOPY V 1.0, DDP  
 PACKCOPY V 1.1, DDP  
 Both of these allow copying from  
 disk to disk, disk to ddp, ddp  
 to disk, ddp to ddp.  
 PAINTMASTER hi-res color graphics,  
 and SAVE them (ddp)  
 SIGNSHOP Make signs, banners, post-  
 ers, etc., and PRINT THEM (ddp)  
 BACKUP + 2, allows copying of games,  
 programs, etc., which cannot be cop-  
 ied normally. Specify ddp or disk  
 SCREENCHOP So you can display those  
 WIDE CP/M programs on ADAM  
 ALL THE ABOVE WITH MANUALS,  
 \$24.95 each

COLECOVISION ROLLER CONTROLLER, complete with two hand controllers, and  
 original manual, all cables as new, \$45.00. SUPER ACTION CONTROLLERS,  
 pair, with original instructions as new \$45.00. NEW DIGITAL DATA DRIVES,  
 each \$29.95 each. PRINT WHEELS \$6.50 each. ADAM PRINTER RIBBONS, black  
 nylon, ea, \$5.95. MULTISTRIKE \$6.50 each. IF IT IS FOR ADAM-WE HAVE IT OR  
 CAN GET IT! WRITE US!

# SERVICE ADAM-AMSTRAD-IBM-COMPATIBLE

We offer quick, careful expert service on all the above, and on any device which can be used with them. Ship the defective unit to us, WITHOUT DISASSEMBLING ANYTHING! Of course it is all right to unplug drives, modems, or any other peripherals, then ship the defective unit to us, with the indicated deposit, INSURED, by UPS or MAIL. Pack with original packing, or at least two inches of foam, all around the device(s). NEVER, NEVER SHIP BY FREIGHT.

We will check and repair, advising you of price, you remit, if necessary, and we return. Very simple. Absolutely no estimates, because they take almost as much time as the actual repair. Deposits must be by Money Order or Certified Check.

DISK DRIVES, original ADAM, AMSTRAD, IBM or compatible, deposit...	\$25.00
PRINTER, original ADAM....."	25.00
PRINTER, OTHER THAN ADAM:	
DOT MATRIX....."	35.00
DAISYWHEEL....."	35.00
COLOR (ribbon type)....."	50.00
INK JET....."	50.00
LASER....."	WRITE
KEYBOARD-ADAM....."	15.00
AMSTRAD....."	30.00
IBM & COMPATIBLES....."	30.00
MEMORY CONSOLES, all types....."	35.00
MODEMS, ALL TYPES....."	25.00
MEMORY UPGRADES, 64K ADAM....."	15.00
MODEM AUTODIALERS, ADAM....."	15.00
PLOTTERS .....	50.00
MONITORS:	
MONOCHROME....."	35.00
COLOR COMPOSITE....."	50.00
COMBINATION COMPOSITE-SEPARATED VIDEO....."	60.00
COMBINATION COMPOSITE-SEPARATED-RGB....."	70.00
RGB ONLY....."	50.00
EGA-PGA-CGA-RGB COMBINATIONS....."	75.00

We make many upgrade modifications, on ADAM-AMSTRAD-IBM Compatibles. Let us know what you want, or write for what we can do. Such mods as faster memory chips, faster microprocessors and support components, latest motherboard revisions, etc., are done constantly. If you are bothered by RF interference, we can lessen it or stop it. Unless your unit has been dropped off the tailgate of a pickup, run over by a semi or lorry, there is every reason to believe we can repair it, and at a reasonable price. Usual turn-around times on repairs are very quick. We know how difficult it is to survive without your computer!!

NOTICE!!!The above deposits are NON-RETURNABLE, NON-REFUNDABLE, and are intended as payment for our handling, evaluation time, and, sometimes, the full repair. If repaired, the deposit is credited to the repair, if not it pays for our time. ANY SURPLUS IS ALWAYS REFUNDED!

CONSIGN-A-BIT SECTION

#815

THIS IS IT! A SUPER ADAM!

FEATURES:

ADAM STAND-ALONE MODEL

144K RAM

MODEM for Telecommunications, with manual & software, & insts.

AUTODIALER for telephone communication, with software & insts.

SERIES & PARALLEL converter, so other printers, modems can be used.

80 COLUMN CONVERTER, so WORDSTAR, etc., can be efficiently used.

SUPER-CONTROLLERS, 1 pair, for those who really like games.

POWER SUPPLY, SEPARATE, BRAND NEW

DATA DRIVES, (2)

DISK DRIVE, one.

Options: second disk drive, dot matrix printer, others.

Remanufactured ADAM printer, with fan fold paper guides.

1/2 dozen new ADAM printer ribbons

Full dozen blank ADAM DATA PACKS

30 blank high quality disks (3 boxes)

All cables, connectors, etc.

All original manuals, instructions etc.

IDEAL SETUP FOR BUSINESS, CLUB USE..Or for someone who wants the best.

INCLUDES The following software, programs, languages and games:

- SMARTbasic                      BASIC II                      CP/M                      ADAMCALC
- "C" Language-Compiler              SPLIT-SCREEN EDITOR
- PASCAL                              WORDSTAR                      SUPERCALC
- SMARTfiler                      SMART LETTERS & FORMS      ADAMLINK I & II
- 32 BASIC PROGRAMS FOR ADAM              MITE TELECOMMUNICATIONS
- 15 original ADAM GAME CARTRIDGES, with instructions
- 15 ADAM Game DISKS, instructions where furnished.
- 50 assorted ADAM GAMES, programs, etc., inc. BUSINESS, FINANCE, INVENTORY, PAYROLL, ETC.
- 5 BULLETIN BOARD SYSTEM PROGRAMS

Every program, game, etc, has documentation, & manuals, Pounds of 'em!

- HACKER'S GUIDE TO ADAM VOLUME I.....61 pages, softbound
- HACKER'S GUIDE TO ADAM VOLUME II.....111 pgs, softbound
- COLECO ADAM USERS HANDBOOK.....280 pages softbound
- SECOND EDITION-ADAM RESOURCE DIRECTORY...108 packed pages, "
- "C" COMPILER.....approximately 250 pages
- SPLIT SCREEN TEXT EDITOR (with patches) 104 pages.

Plus many more items, too late to inventory.

This is the most complete computer setup we have offered in some time, it leaves little to be desired. Just set up, pick what you want to run, and run it!

This selection sold exactly as received, for far less than it can be bought separately. ALL THE ABOVE, for a ridiculous price of ~~1350.00!!!~~ + 425.00

HIS, CONUS

FIRST COME, FIRST SERVED, other money orders will be returned! Include SSAB!

550.00!!!

\*\*\*\*\* C O N S I G N - A - B I T SECTION Contd. \*\*\*\*\*

#816

NOW AT A LOWER PRICE! WAKE UP OUT THERE! FIGURE WHAT IT WOULD COST TO DUPLICATE THESE BARGAINS!

STAND ALONE ADAM

144K Memory, (EXTENDED MEMORY)

40 COLUMN PROGRAM, for expanded screen display,

SUPER ACTION CONTROLLERS, a PAIR, plus pair ADAM standard controllers!

CANON IBM 50 cps dot matrix printer, also does graphics! 5 times faster than ADAM!

ADAM PRINTER, with cables & added paper guides for fan-fold paper

SERIES-PARALLEL CONVERTER so standard-series and or parallel devices can be used, such

as printers, modems, etc., made by other manufacturers than ADAM

DISK DRIVE 1

TWO DATA DRIVES

ADAM MODEM, for telecommunications

w Manuals, software, cables.

DISKS-5 1/4 inch full box, NEW

DATA PACKS, NEW 1 dozen.

ADAM PRINTER RIBBONS, Multistrike, Mylar, full box

PRINT WHEEL, ADAM, spare, new

PRINTER PAPER, 4 rolls, for dot matrix printer.

ALL MANUALS, etc, for everything!

Obtain adapter for D-M printer from EVE Electronics.

CLEANING KIT! For disk & data drives!

COVERS, BROWN VINYL, for console, module and printer, White ADAM logo.

COMES WITH THE FOLLOWING GAMES, PROGRAMS, UTILITIES, LANGUAGES:

SMARTBASIC BASIC II ADAMCALC SMARTLOGO SMART LETTERS & FORMS CP/M 2.2 & ASSEMBLER SCREENCHOP (to fit wide programs to ADAM SCREEN)

ADAMLINK I & II SMARTFILER WORDSTAR 25 ADAM GAMES & PROGRAMS, all with documentation, where applicable.

What more could you ask? This is as complete a setup as anyone could ask for. Use the ADAM printer when you want true letter quality correspondence. Use the dot matrix printer when you want faster print speed, or graphics, or pictures.

With the series-parallel converter, you can use other manufacturer's modems, serial or parallel printers, whatever. The ability to use 40 columns makes both your own programs more readable, and makes programs which run in eighty columns make sense, instead of being cut into odd number lines.

Very complete. Just about everything anyone could want, for whatever purpose! You do not have to buy spare ribbons, spare disks, spare data packs. The only thing you will need is ordinary fan-fold paper for ADAM (too heavy to ship)

You can have the entire package now for \$525.00 !!. If you do not snap this up right away, we shall break up the package, and it will cost a lot more!

IF YOU DO NOT NEED THE WHOLE PACKAGE, BUY IT ANYWAY, SELL OR TRADE WHAT YOU DO NOT NEED TO ANOTHER ADAM OWNER!

REMEMBER! WE HAVE JUST ABOUT EVERYTHING EVER MADE FOR ADAM, AND WILL BEAT ANYONE'S REALISTIC ADVERTISED PRICE. TRY US FIRST, THERE WILL NOT BE A SECOND TRY!

ADAM SCHEMATICS: PART OF THE SERIES IS IN THIS MONTH'S NEWSLETTER. BE SURE TO SAVE THEM! YOU MAY NEED THEM, TO MAKE ADDITIONS TO ADAM, or for identification of parts for replacement! More next month!

LAST MINUTE ADDITIONS: SPARE ADAM PRINTER \$65.00, + \$10.00 HIS, CONUS

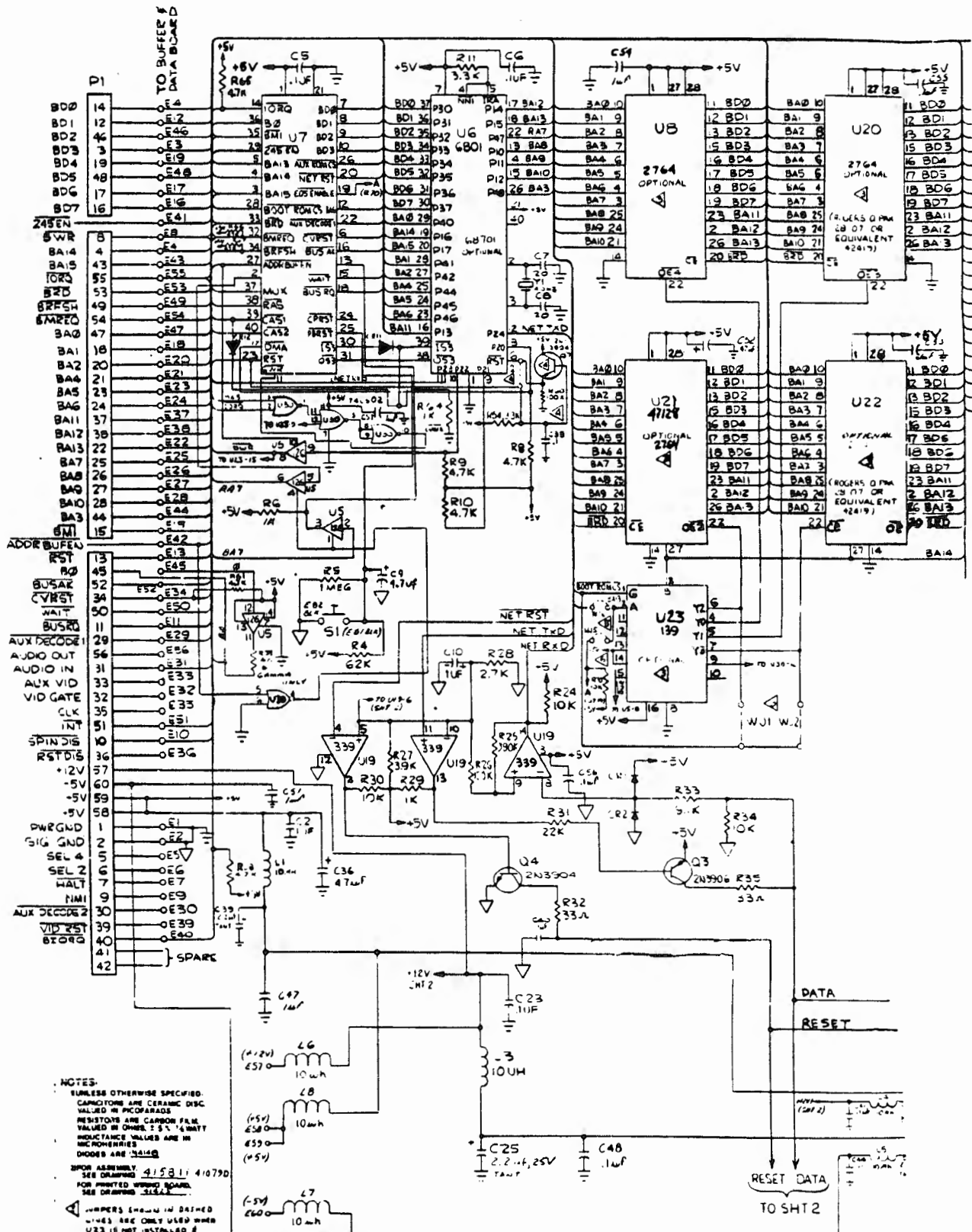
ADAM, with Keyboard-Printer-Console, 1 data drive, cables, manuals, standard BUCK ROGERS, SMARTBASIC ddps.  
2 standard game controllers

2 blank data packs, \$199.00, + \$25.00 HIS, CONUS

ADD your own peripherals, games, etc, to this one!

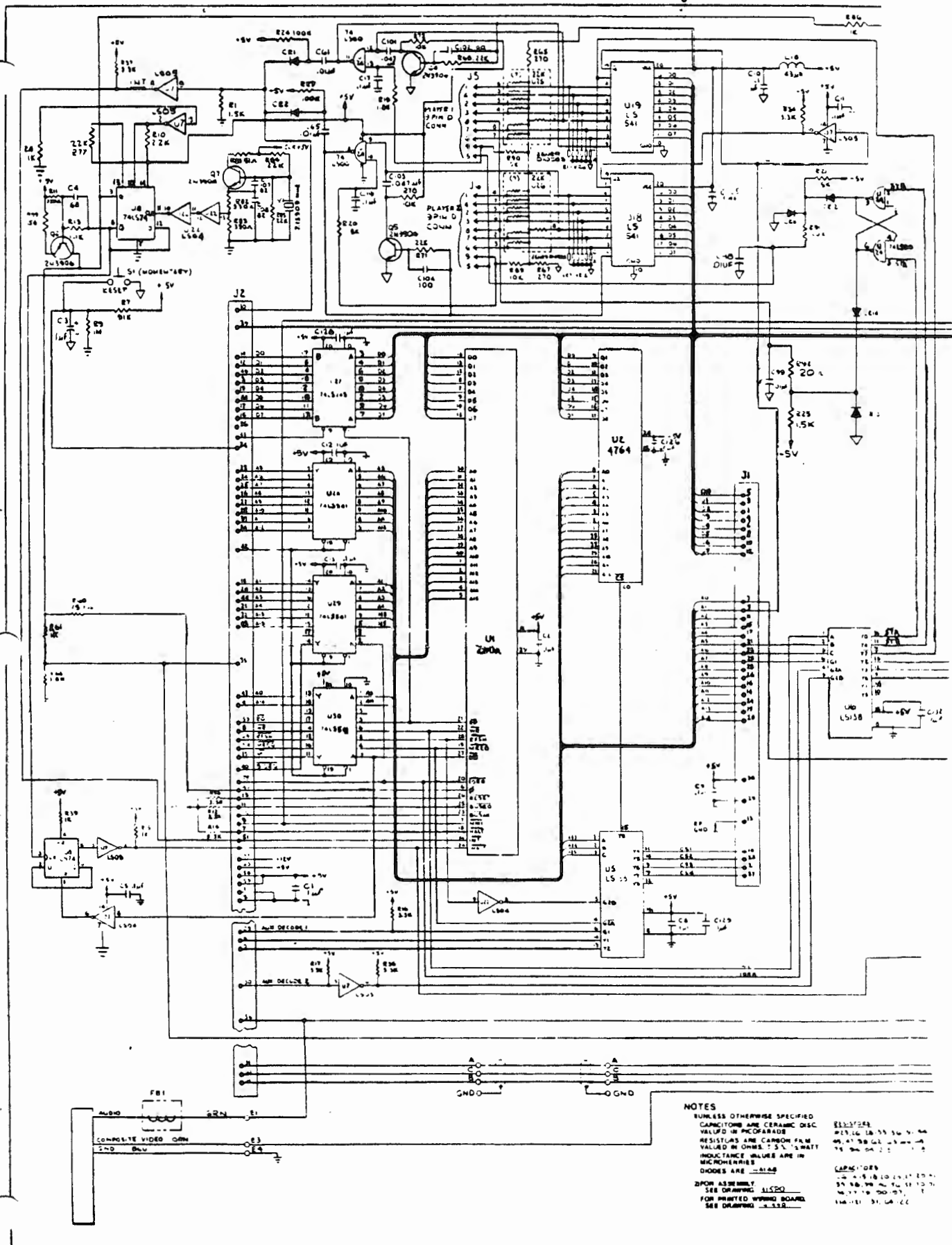
Maybe you need a spare! Complete ones are getting scarce!

Prices are bound to go up!



NOTES:  
 UNLESS OTHERWISE SPECIFIED,  
 CAPACITORS ARE CERAMIC DISC  
 VALUED IN PICOGRADS  
 RESISTORS ARE CARBON FILM  
 VALUED IN OHMS, 1% TOLERANCE  
 INDUCTANCE VALUES ARE IN  
 MICROHENRIES  
 DIODES ARE 1N4148  
 FOR ASSEMBLY  
 SEE DRAWING 415811 410790  
 FOR PRINTED WIRING BOARD  
 SEE DRAWING 31834

▲ JUMPERS SHOWN IN DASHED LINES ARE ONLY USED WITH U23 IF NOT INSTALLED & 47108 ACROSS ARE USED  
 ▲ JUMPERS SHOWN IN DASHED LINES ARE ONLY USED WITH U23 IF NOT INSTALLED & 47108 ACROSS ARE USED  
 ▲ JUMPERS SHOWN IN DASHED LINES ARE ONLY USED WITH U23 IF NOT INSTALLED & 47108 ACROSS ARE USED  
 ▲ JUMPERS SHOWN IN DASHED LINES ARE ONLY USED WITH U23 IF NOT INSTALLED & 47108 ACROSS ARE USED



**NOTES**  
 UNLESS OTHERWISE SPECIFIED  
 CAPACITORS ARE CERAMIC DISC  
 VALUED IN MICROFARADS  
 RESISTORS ARE CARBON FILM  
 VALUED IN OHMS, 1/2 WATT  
 INDUCTANCE VALUES ARE IN  
 MICROHENRIES  
 DIODES ARE 1N4148  
 ZPQR ASSEMBLY  
 SEE DRAWING 31520  
 FOR PRINTED WIRING BOARD  
 SEE DRAWING 31519

!!!! N O T I C E !!!!!

The ADAM schematics are printed on one side of a page, only, in order that they may be cut and or pasted together, if desired.

!!!SAVE THEM!!!

You may need them for later troubleshooting, repair, parts identification, and will surely need them for interfacing some ADAM upgrades.

-----

SOFTWARE TRADES

People often write in, asking whether we trade programs, games, etc.. We most certainly do, on the basis of TWO of your disks or ddps which we do not have. in exchange for ONE program, game, utility, etc., shown on our list. PLEASE! Send only good material, which would be of interest to our members.



\$\$\$\$\$ CONSIGN A BIT SALES \$\$\$\$\$

TURN UNWANTED COMPUTER EQUIPMENT INTO CASH, IN A PRACTICAL WAY

We offer a sales service to our members.

You may consign to us, for sale, any computers, and computer related items you wish to sell. We shall advertise these items, by telephone, by individual letter, in the newsletter, (which goes to all the United States and to 44 countries) and for local sale.

Our fee for handling, is 15% of the selling price, or if the item(s) do not sell, 15% of the last advertised price, you pay shipping.

INSTRUCTIONS:

Before shipping any items for sale, send us a list of the items, and a signed statement that you are the legal owner, or have the legal right to offer the items to us, for sale. You will be furnished a CAB#, which will NOT be the same number as the advertised number. You must also state the condition of each item, whether it is original, etc..

If any item you ship is tested here, and found defective, it will be either repaired, and the cost deducted from your profit, or it will be sold "as is", and at a reduced price. If an item sold is found to be defective upon arrival at the purchasers address, and it is not due to improper handling in shipping, again, you will be responsible for the costs incurred, and they will be deducted from your profit.

DO NOT SHIP ANY ITEMS WITHOUT PROPER PACKAGING! Do your best, in packaging, and expect the worst handling. If you do this, your items will most likely survive the shipping experience. You pay shipping, and insurance, to us.

We reserve the right to combine, or to split consignments, to make a more salable package.

Consignments are NOT accepted for any set price. The market determines the price. We shall advertise items at what we expect the prospective purchaser will be willing to pay. If this price is not met, we will again advertise, at a reduced price, until either the item sells, or we feel it is not financially practical. Naturally we try to get the highest price, both for the benefit of the consigner, and the International Computer Users Group.

Computing is a highly subjective matter. Some items you simply could not do without, others would not have, at any price. Again, some items you think dispensable, others would give their eyeteeth for. We try to match the conditions.

Most items sell rather quickly, especially if they can be combined into a complete package. TRADES! We also trade for games, programs, utilities, languages. Two not on our list, for one, on our list. WRITE!

=====COMMENTS=====

IF ANY MEMBER HAS ORDERED AND NOT RECEIVED HIS (HER) COLOR RIBBONS, IN RED OR GREEN, PLEASE LET US KNOW, ENCLOSEING A COPY OF YOUR ORDER. WE WILL SEND THEM IMMEDIATELY. These are the only two colors, other than black available at present.

It seems that some orders for color ribbons for ADAM were put in the wrong bin, by accident, and were consigned to the square file (wastebasket). THE NEW RED AND GREEN RIBBONS ARE FINE FOR A NUMBER OF PURPOSES, including Holiday letters etc..

PLEASE!! If you have a problem, with an order, etc., DO NOT WRITE WITHOUT INCLUDING A FULL DESCRIPTION OF YOUR PROBLEM. PLEASE! DO NOT WRITE AND SAY "I sent an order on St. Swithin's Day and havent received it yet." Be kind to us dumb animals. Send a copy of your order!

DO NOT TELEPHONE! If you disregard our prohibition against telephone calls, we will not only ignore your call, but MAY cancel your membership! Telephoning introduces additional errors, and often causes delays, when the average person thinks it speeds up the process, when instead it may not. It causes us problems. WRITE! Then you can have a hard copy, and so can we. It constantly amazes us, to see letters without return addresses, full names, no zip codes, or names of cities! Then you are angry with us. One person called recently, gave us a chewing out on tape, and all we could understand was that his name was FOREHAND. No address, no explanation of his purported problem. We can find NO Forehand in our files! If this was not a crank call, and you recognize this incident, Mr. Forehand, we will try our best to satisfy you, IF YOU WILL MAIL IN YOUR REQUEST, GIVING US FULL INFORMATION. WE PROMISE, this will be the last ever, attempt to serve a phone call!

We have had telephone termites in the past. When we tried a bulletin board service, for our members, it was short-lived, because of the bandits who entered our system, and wreaked havoc, erasing information, uploading obscenities, etc.. We also have had mail mites, who write in, expressing all kinds of irrational, irresponsible, irrelevant baloney, and sign with a typewritten signature such as "THE SPOOK", THE ONLOOKER, THE GHOST, etc.. We now turn these over to the Post Office, for their investigation.

Trying to serve our members is a pleasure, most of the time, but we find it trying, when we run into characters such as these. One disgruntled member, was ordering disks, copying them and returning them, and when we notified him that he could no longer do this, he wrote a number of software producers, saying that we were duplicating their software. He slipped up when we received letters of complaint from two software producers, who produce ONLY COMMODORE software! This is especially important, when you take into consideration that we HAVE NEVER, NEVER sold, or offered for sale any COMMODORE software! When we convinced the various manufacturers of our good intentions, they supplied us with the individual's name. If we ever have listed, any copyrighted software, that is not Public Domain, it usually comes to us used, as many of you know.

**ORDERING-SHIPPING-RETURNING for SERVICE, WARRANTY, or FOR SALE  
INSTRUCTIONS**

XX

PLEASE! IT IS VERY IMPORTANT THAT YOU READ THIS ENTIRE PAGE VERY CAREFULLY BEFORE ORDERING FROM, or SHIPPING TO US.

MONEY ORDERS, CERTIFIED CHECKS OR CASH ONLY, FOR MERCHANDISE. Check O.K for subscriptions. ALL PRICES U.S. FUNDS! NO CREDIT CARDS. INCLUDE ENOUGH FOR HIS, (HANDLING, INSURANCE, SHIPPING) on every order, NO MATTER HOW SMALL! WE SHIP UPS in the U.S.! (Rarely by mail) UPS does not deliver to most BOX NUMBERS! AVOID BOX NUMBERS whenever possible.

DOUBLE THE HIS FOR HAWAII, ALASKA, PUERTO RICO, CANADA, APD'S, FPO'S, etc. OUR P.O. requires special handling for these. UPS does not serve all of Canada! If order must go by air or truck, expect it to cost more! TRIPLE THE HIS FOR OTHER COUNTRIES! (special P.O. regulations must be met)

DO NOT ALLOW YOUR ORDER TO BE HELD UP BECAUSE OF INSUFFICIENT HIS! WE RETURN SURPLUS HIS TO YOU, IF YOU SEND TOO MUCH!

PRINT, on BOTH the order and envelope, your NAME and ADDRESS, PLAINLY, so it can be READ. On order use ITEM NAME & # wanted! INCLUDE 44 cents postage for information requests from the US, or International Reply Coupons for anything requiring an answer, or we may not answer the letter! Example, it costs \$1.56 US, for a 10 page AIR MAIL newsletter to the UK.

SHIPPING some items same day, some in days, some much slower. DO NOT WRITE ABOUT AN ORDER BEFORE SIX WEEKS!. IT JUST TAKES UP MORE TIME, NEEDLESSLY. Certain new, out of production or special production items may be delayed, or items requiring us to reorder cause delays. DO NOT ORDER ITEMS NOT ON OUR LISTS! Write in and ASK if we have or can get them. (include postage, or better yet, STAMPED, SELF ADDRESSED LARGE ENVELOPES, from US members, POSTAL REPLY COUPONS, FOREIGN)

MAIL YOUR QUESTIONS & ORDERS! OUR BUSINESS IS "MAIL ORDER" not "PHONE ORDER"! WE DO NOT ACCEPT OR RETURN TELEPHONE CALLS, EVEN IF ASKED TO CALL COLLECT!

Award, in some respects is now a very difficult issue. Production lines, or warehouses from which to order many necessary parts, peripherals and hardware, programs, games, utilities NO LONGER EXIST! Supplying some items is nearly impossible. We now have to order on a when is, where is, as is, how much it is, deliver when possible basis. IF YOU ARE NOT WILLING TO BEAR WITH US UNDER THESE TRYING CONDITIONS, WE SUGGEST YOU SWITCH TO AMSTRAD OR IBM!

IF YOU IGNORE OUR POLICY OF NO PERSONAL OR COMPANY CHECKS FOR MERCHANDISE, we shall ignore your order.

Items on our lists are in stock when lists are made up, or expected in by the time an order can arrive from you. We like delays even less than you do.

DO NOT SEND US ANY ITEM WHATSOEVER, without first obtaining written permission, and a shipping authorization number, which must be prominently displayed on the outside of your package. Items without these are easily misplaced, lost, etc., and will be refused when they arrive. This also applies to CONSIGN-A-BIT SALES items, (which must also have a signed statement, authorizing us to sell), items under warranty, items to be repaired. Your box MUST have a complete listing of box contents, indicating condition of each item, bearing your signature.

CASH REFUNDS: If applicable, there will be a 20% HANDLING, CHECKING and RESTOCKING CHARGE. The refund will be delayed until item(s) are thoroughly checked. After all, the next purchaser has a right to expect an item in perfect condition.

WARRANTIES vary, some are by manufacturer, some by us, some are not warranted. WRITE, if you have a problem, describing the problem in DETAIL. If you receive an item which may have been damaged in shipment, YOU report it to the carrier immediately, ask for a form to be filled out, right then!

SHIPPING TO US? If you ship disk drives, insert a piece of cardboard or scrap disk in the drive. If you ship a printer, use foam or soft substance to immobilize print head! If you do not follow these instructions, items may arrive in worse condition than when you shipped them! ALL shipments must be protected by at least two inches of foam, bubble plastic, plastic "peanuts", shredded or balled paper. If not properly protected, the insurer or carrier will not pay. ORDINARY CARE IS NOT GOOD ENOUGH FOR SOME ITEMS!

SOFTWARE ORDER CONTRACTUAL AGREEMENT

YOU MUST SIGN THIS FORM, AND WAIVER OF RIGHTS TO PURCHASE SOFTWARE!!

As a requisite to purchasing software from The ADAMLAND INTERNATIONAL COMPUTER USERS GROUP, I hereby state, avow, affirm that I am a member of said Group, and that I am not at present, and will not in future, be a party or contributor in any way, to any action or actions against said group, relative to copyright infringement, ownership of software, plagiarism or any connected action concerning-involving rights of ownership. If I ignore these conditions, I agree to be held in violation of contract, etc., under articles applying to same.

I understand that if there is any question of ownership of any article of software, and it be brought to the attention of the aforementioned Group, that Group reserves the right to withdraw such article of software from it's public library, and so from sales to members, at any time, without notice.

The above Group offers software for sale, on Magnetic Disk, Digital Data Pack (Magnetic Tape) and in print, both new and used, to it's members, and I understand and agree that due to the sheer volume of the existing library, and the constant additions thereto, it is impractical for the Group to research every individual offering, or collective offering, as to it's proper place in commercial, private or public domain.

I understand that I occasionally may receive a multiple program, game, utility, etc., on disk, ddp, or in print or whatever, on which media I may find a listed program, etc., or more, which, for one reason or another may not operate correctly. I realize that since the Group sells at a major discount, to members only, that the balance of usable material on such media is a bargain for the selling price, and I will not hold the above Group accountable in any way for the defective programming.

I also understand that media I may receive may also contain some programs, etc., which are not listed, which may not operate. I realize that since these were not listed, I have not been charged for same, and will not communicate with the Group regarding same, or hold them responsible in any way.

The Group offers all software on an "AS IS" basis. They do their best to furnish the membership with the best software available, and since most of the items presented were not programmed by the Group, and since many are used, and some software works only on certain computers, some require additional hardware or software not present in certain models, ALL SOFTWARE IS PROVIDED WITHOUT ANY WARRANTY OF ANY KIND, EITHER EXPRESSED OR IMPLIED, INCLUDING, BUT NOT LIMITED TO THE IMPLIED WARRANTIES OF MERCHANTABILITY AND FITNESS FOR A PARTICULAR PURPOSE.

My agreement in total, to the above is shown by my legal signature and date being affixed in the indicated spaces below:

NO SIGNED FORM, NO SOFTWARE!!  
Order will be refused, and  
your money returned!

Signed \_\_\_\_\_

Dated \_\_\_\_\_

NAME \_\_\_\_\_ PHONE \_\_\_\_\_

ADDRESS \_\_\_\_\_ CITY \_\_\_\_\_ STATE or PROVINCE \_\_\_\_\_

COUNTRY \_\_\_\_\_ ZIP \_\_\_\_\_ MEMBERSHIP EXPIRES \_\_\_\_\_

WHAT COMPUTERS DO YOU USE? \_\_\_\_\_

USE THIS FORM FOR ALL ORDERS, SOFTWARE, HARDWARE, PERIPHERALS, BOOKS, WHATEVER

QTY STOCK # DESCRIPTION PRICE TOTAL

Table with 5 columns: QTY, STOCK #, DESCRIPTION, PRICE, TOTAL. Multiple rows of dashed lines for data entry.

MAKE CERTAIN YOU HAVE READ AND UNDERSTAND ORDERING, SHIPPING, ETC., INSTRUCTIONS Helg. Ins. Shpg. \_\_\_\_\_

\*\*\*ADAMLAND\*\*\*  
795 Garfield  
Lander, WY 82520

TOTAL \_\_\_\_\_

CASH, M.D. OR CERTIFIED FUNDS ONLY !!!  
U.S. Personal Checks OK for Membership

USE THIS ORDER FORM ONLY!!), MAKE A COPY FOR YOUR RECORDS, BE SURE TO SEND US THE ORIGINAL!!

COMMENTS: (Office use only)

PACKED BY \_\_\_\_\_

ORDER O.K. \_\_\_\_\_